



SERIE 59

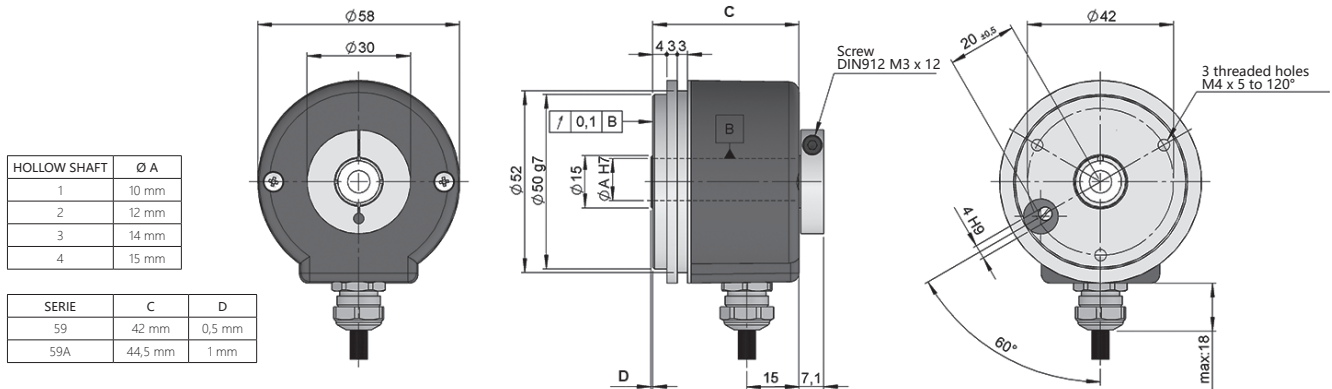
HIGH RESOLUTION HOLLOW SHAFT INCREMENTAL ENCODER FOR INDUSTRIAL APPLICATIONS

- Resolution up to 50000 pulses per turn
- External diameter 58 mm
- Hollow shaft up to \varnothing 15 mm
- Protection class IP67 according to DIN EN 60529
- Shaft fixing through front or rear clamp
- Anti-rotation system through flexible flange, pin torque support or anti-turn stick
- Connection by cable (other cable length available) or industrial connector M12 or M23



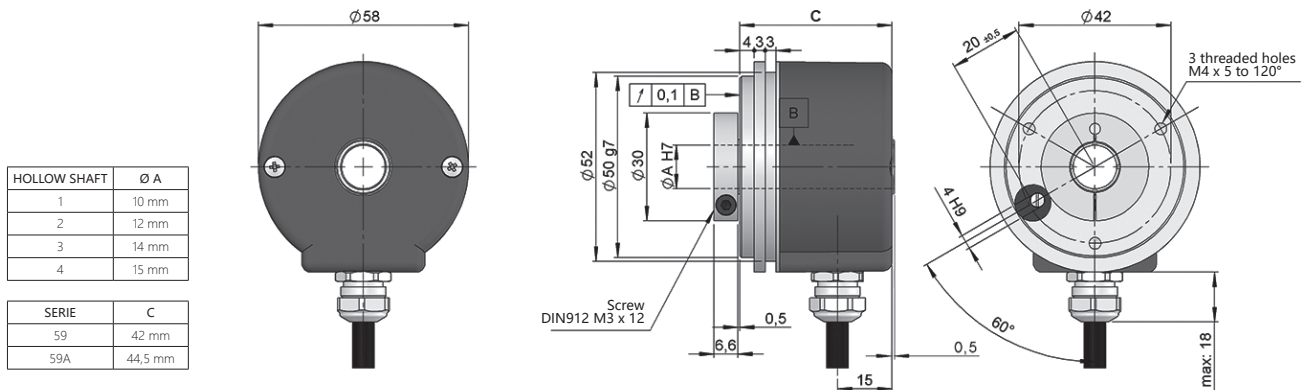
Optical Encoder	Incremental Encoder	High shaft load capacity	Vibration and shock resistant	IP67	Temperature range	Express Delivery

Rear clamp



Drawing mechanical option type 1, hollow shaft type 2, connection type 1

Frontal clamp



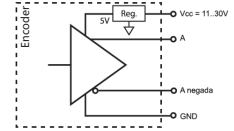
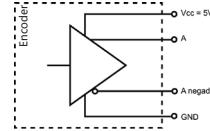
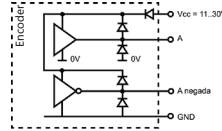
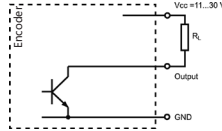
Drawing mechanical option type 2, hollow shaft type 2, connection type 1



SERIE 59

HIGH RESOLUTION HOLLOW SHAFT INCREMENTAL ENCODER FOR INDUSTRIAL APPLICATIONS

OUTPUT SIGNALS



OUTPUT CIRCUIT	NPN Open Collector	Push-Pull Differential	RS422 (TTL compatible)	RS422 (TTL compatible)
Reference code	0	1	2	6
Power supply	11...30 VDC	11...30 VDC	5 VDC ±5%	11...30 VDC
Output voltage	11...30 VDC	11...30 VDC	5 VDC	5 VDC
Consumption	40 mA	Typical: 45 mA Max: 150 mA	Typical: 70 mA Max: 150 mA	Typical: 80 mA Max: 160 mA
Max. load capability / channel	40 mA	±30 mA	±20 mA	±20 mA
Length of cable allowed	50 m (24 VDC)	100 m	1200 m	1200 m
“Low” signal level	VOL < 0.4 VDC (24 VDC)	VOL < 2.5 VDC	VOL < 0.5 VDC	VOL < 0.5 VDC
“High” signal level	VOH > 22 VDC (24 VDC)	VOH > VCC – 3 VDC	VOH > 2.5 VDC	VOH > 2.5 VDC
Frequency	100 kHz	200 kHz	300 kHz	300 kHz
Short circuit protection	Not permanent	Yes	Yes	Yes
Protection polarity inversion	Yes	Yes	No	Yes

Channel B leads (90° electric) channel A, view from the shaft, shaft rotating clockwise

CONNECTION

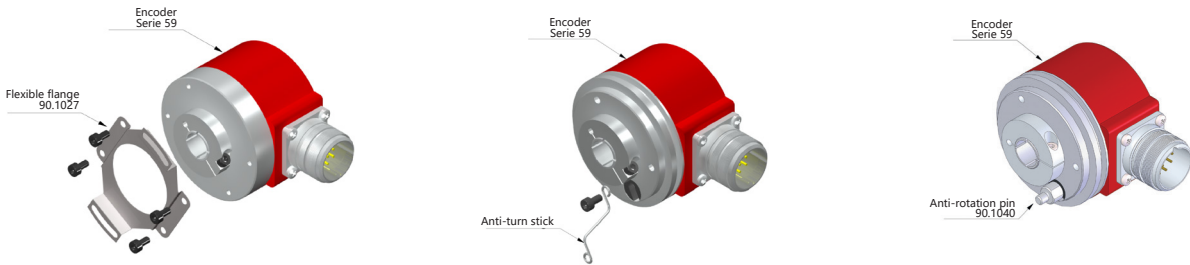


	Cable 3x2x0.14+2x0.34 95.0008003	Connector M12 8p CCW	Connector M23 12p CW
GND	Black (BK)	1	1
+UB	Red (RD)	2	2
A	Yellow (YE)	3	3
B	Green (GN)	4	4
\bar{A}	Brown (BN)	5	5
\bar{B}	Blue (BU)	6	6
Z	Grey (GY)	7	7
\bar{Z}	Orange (OG)	8	8
Case	Shield	Case	Case

SERIE 59

HIGH RESOLUTION HOLLOW SHAFT INCREMENTAL ENCODER FOR INDUSTRIAL APPLICATIONS

ACCESSORIES EXAMPLES



All the accessories available in the section "MOUNTING ACCESSORIES".

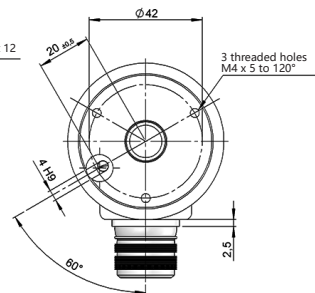
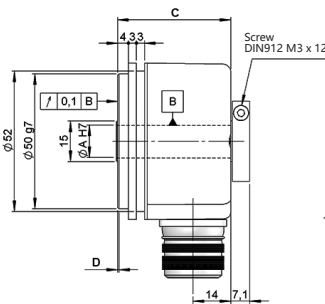
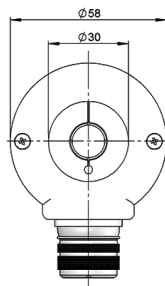
CONNECTION DIMENSIONS

Female connector not included

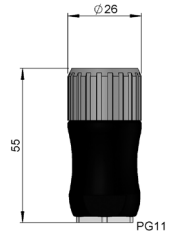
Connection 2 Radial

Fixation 1 Rear clamp

M23 12p
male panel
clockwise



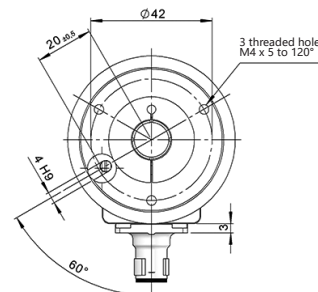
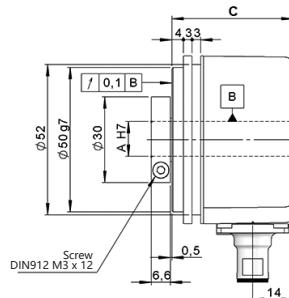
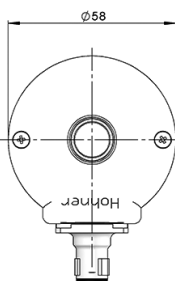
Female connector 95.0007131



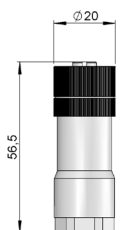
Connection 3 Radial

Fixation 2 Frontal clamp

M12 8p
male panel
counter clockwise



Female connector 95.0007152

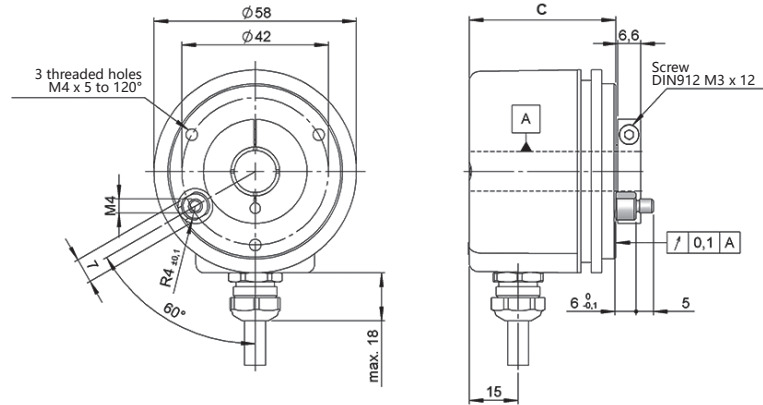


SERIE 59

HIGH RESOLUTION HOLLOW SHAFT INCREMENTAL ENCODER FOR INDUSTRIAL APPLICATIONS

ANTI-ROTATION SYSTEMS DIMENSIONS

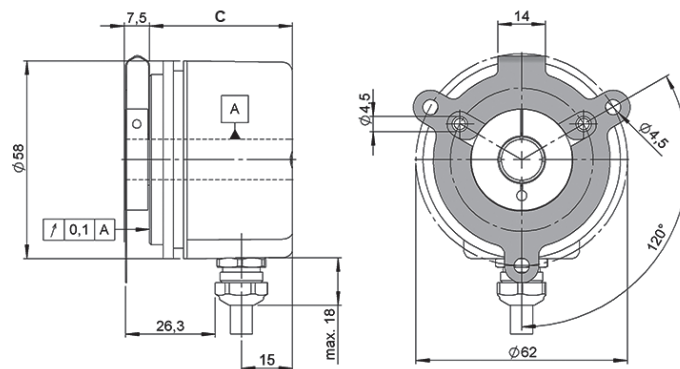
Anti-rotation pin
90.1040



90.1040



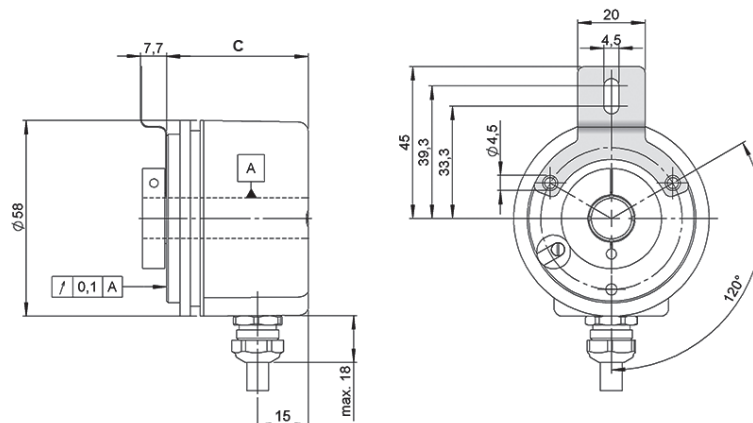
Flexible flange
90.1014



90.1014



Flexible flange
90.1018



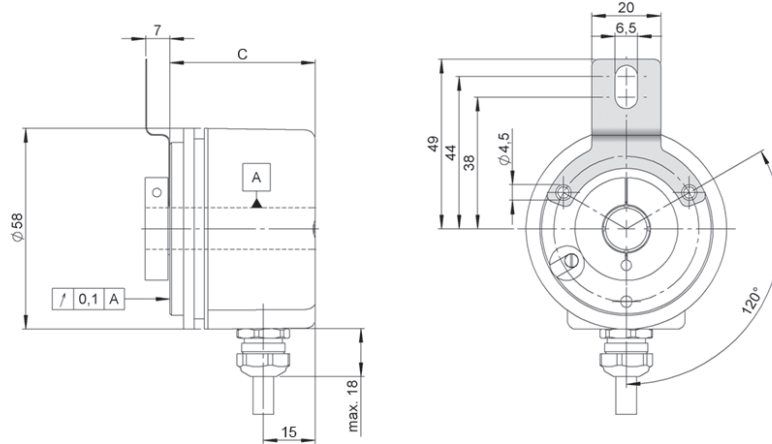
90.1018



SERIE 59

HIGH RESOLUTION HOLLOW SHAFT INCREMENTAL ENCODER FOR INDUSTRIAL APPLICATIONS

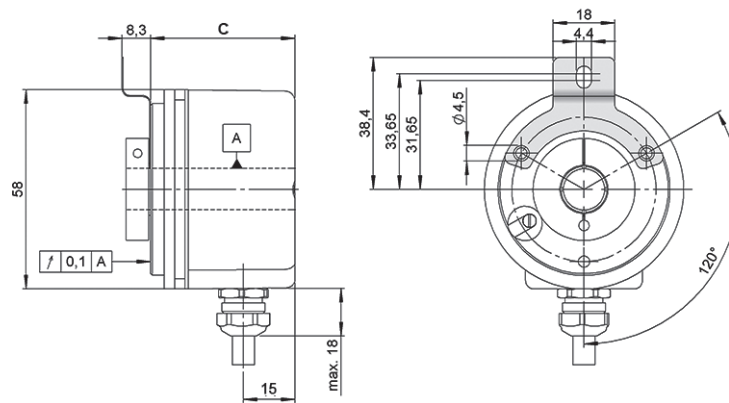
Flexible flange
90.1020



90.1020



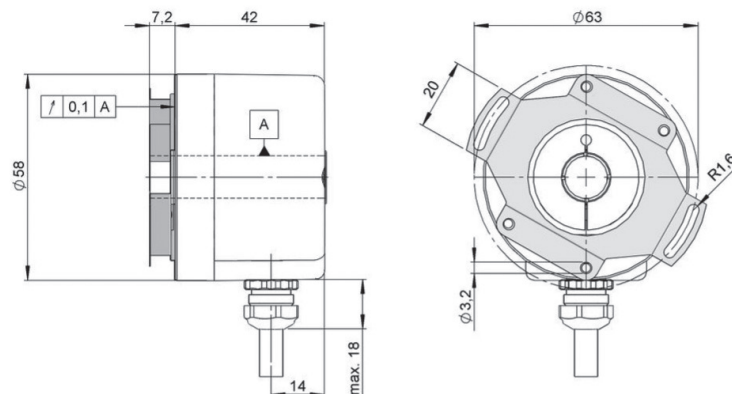
Flexible flange
90.1024



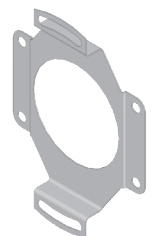
90.1024



Flexible flange
90.1027



90.1027

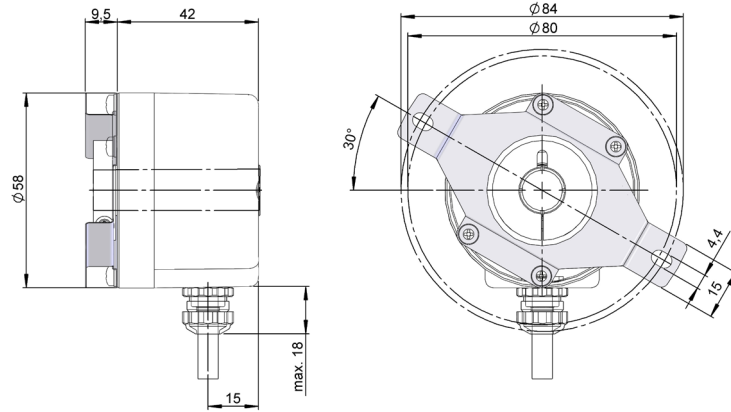


This flexible flange requires a special customer code in the reference: 59-XXXXX-XXXXX.
GG02

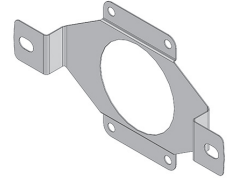
SERIE 59

HIGH RESOLUTION HOLLOW SHAFT INCREMENTAL ENCODER FOR INDUSTRIAL APPLICATIONS

Flexible flange
90.1045

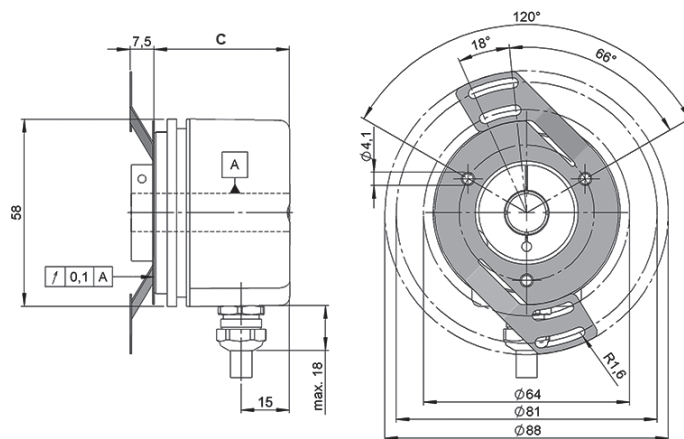


90.1045



This flexible flange requires a special customer code in the reference: 59-XXXXX-XXXXX.
GG02

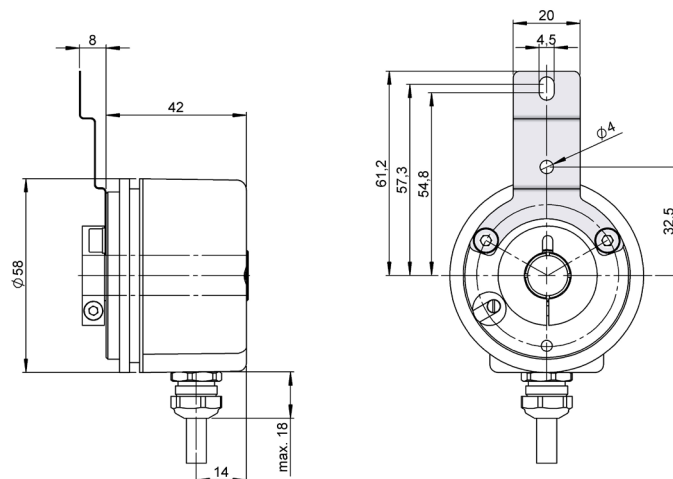
Flexible flange
90.1075



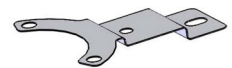
90.1075



Flexible flange
90.1076



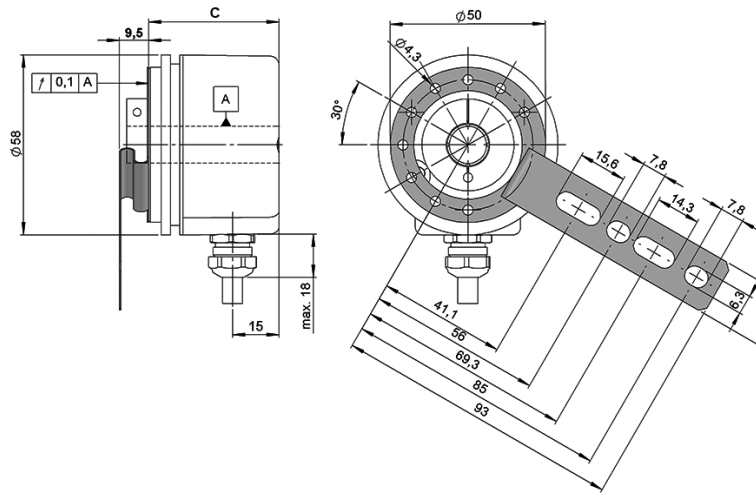
90.1076



SERIE 59

HIGH RESOLUTION HOLLOW SHAFT INCREMENTAL ENCODER FOR INDUSTRIAL APPLICATIONS

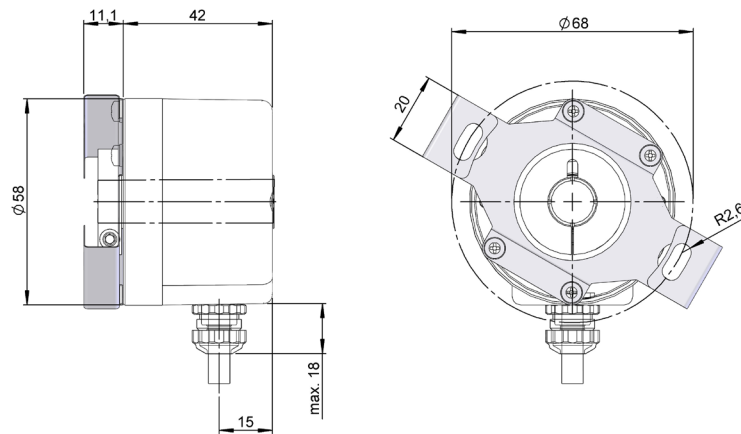
Flexible flange
90.1095



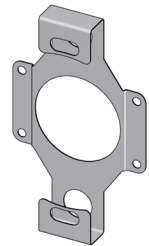
90.1095



Flexible flange
93.0102090

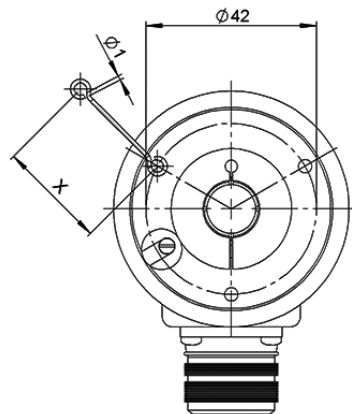


93.0102090



This flexible flange requires a special customer code in the reference: 59-XXXXX-XXXXX.
GG02

Anti-turn stick



90.1033	X= 33 mm
90.1044	X= 83 mm
90.1043	X= 132 mm

(*) other length available on order